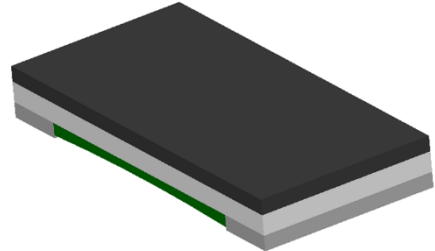


RLM-1220-6F Series Current Sensor Resistor (Lead / Halogen Free)

Features / Applications :

- High power rating is up to 1W
- Low TCR current sensor
- Low thermal EMF ($< 3 \mu\text{V}/^\circ\text{C}$)
- Resistors are ideal for all types of current sensing
- Metal foil construction; Excellent long-term stability
- Moisture sensitivity level: MSL 1
- RoHS compliant



Electrical Specifications :

Characteristics ¹	Feature	
Power Rating ²	1W	
Resistance Value(mΩ)	1.5 to 4	5 to 10
Temperature Coefficient of Resistance(ppm/°C)	± 150	± 100
Operation Temperature Range	-55°C to +170°C	
Maximum Working Voltage (V)	$(P \cdot R)^{1/2}$	

Note :

1. For detailed information see table on page 3
2. For sensors operated at ambient temperature in excess of 70°C, the maximum load shall be derated in accordance with the following curve.

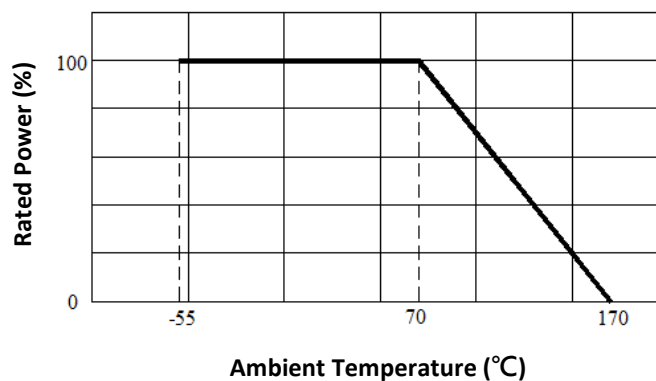
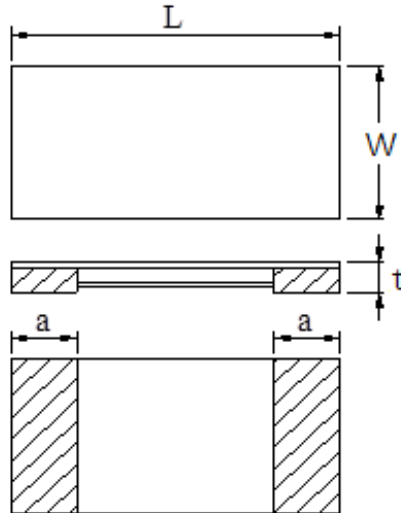


Figure 1. : Power Temperature Derating Curve

Outline Drawing :

Dimensions and schematic :



Resistance Range(mΩ)	L	W	a	t
1.5 to 10	2.00±0.30	1.20 ± 0.30	0.40 ± 0.20	0.6 ^{+0.20} _{-0.30}

(Unit : mm)

Type Designation :

R L M - 1 2 2 0 - 6F - □□□□ - □NH

(1) (2) (3) (4) (5)

Note :

- (1) Series No.
- (2) Size
- (3) Power Rating :6F = 1W
- (4) Resistance value : 1R5m = 1.5mΩ ; R002 = 2 mΩ ; R010 = 10mΩ
- (5) Tolerance : ±1%(F), ±2%(G), ±5%(J)

Available standard resistance values :

Resistance Values	Tolerance		
	±1.0%	±2.0%	±5.0%
1R5m	✓	✓	✓
R002	✓	✓	✓
R003	✓	✓	✓
R004	✓	✓	✓
R005	✓	✓	✓
R006	✓	✓	✓
R007	✓	✓	✓
R008	✓	✓	✓
R009	✓	✓	✓
R010	✓	✓	✓

✓ = available

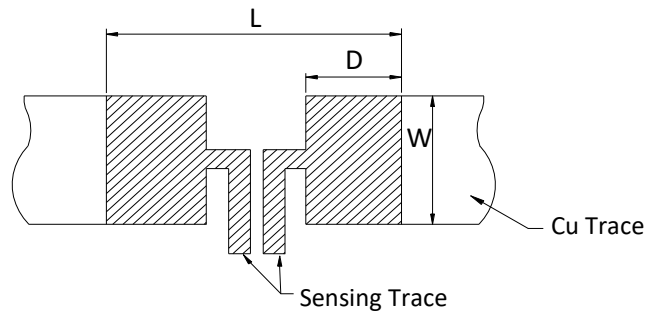
Further values and tolerances on request.

Reliability Performance :

Test Item	Condition of Test	Requirements
Short Time Overload	2.5 x Rated power for 5 seconds Refer to JIS C 5201-1 4.13	$\Delta R : \pm 0.5\%$
Thermal Cycling	-55 to 125°C 100 cycles, 15 min at each extreme condition Refer to JIS C 5201-1 4.19	$\Delta R : \pm 0.5\%$
Low Temperature Storage	Kept at -55°C, 1000 hours Refer to JIS C 5201-1 4.23.4	$\Delta R : \pm 1.0\%$
Resistance to Soldering Heat	Dipped into solder at 260 ± 5°C for 10 ± 1 seconds Refer to JIS C 5201-1 4.18	$\Delta R : \pm 1.0\%$
Load Life	Rated voltage for 1.5hours followed by a pause 0.5hour at 70 ± 3°C Cycle repeated 1000 hours Refer to JIS C 5201-1 4.25	$\Delta R : \pm 1.0\%$
Damp Heat with Load	40 ± 2°C with relative humidity 90% to 95%. D.C. rated voltage for 1.5 hours ON and 30 minutes OFF. Cycle repeated 1,000 hours Refer to JIS C 5201-1 4.24	$\Delta R : \pm 1.0\%$
High Temperature Exposure	Kept at 170°C for 1000 hours Refer to JIS C 5201-1 4.23.2	$\Delta R : \pm 1.0\%$
Solderability	Temperature of Solder : 245 ± 5°C Immersion Duration : 3 ± 0.5 second Refer to JIS C 5201-1 4.17	Uniform coating of solder cover minimum of 95% surface being immersed
Mechanical Shock	100 G's for 6milliseconds. 5 pulses Refer to JIS C 5201-1 4.21	$\Delta R : \pm 1.0\%$
Substrate Bending	Glass-Epoxy board thickness : 1.6mm Bending width : 2mm Between the fulcrums : 90mm Refer to JIS C 5201-1 4.33	$\Delta R : \pm 1.0\%$

Note : Measurement at 24±4 hours after test conclusion for all reliability tests-parts.

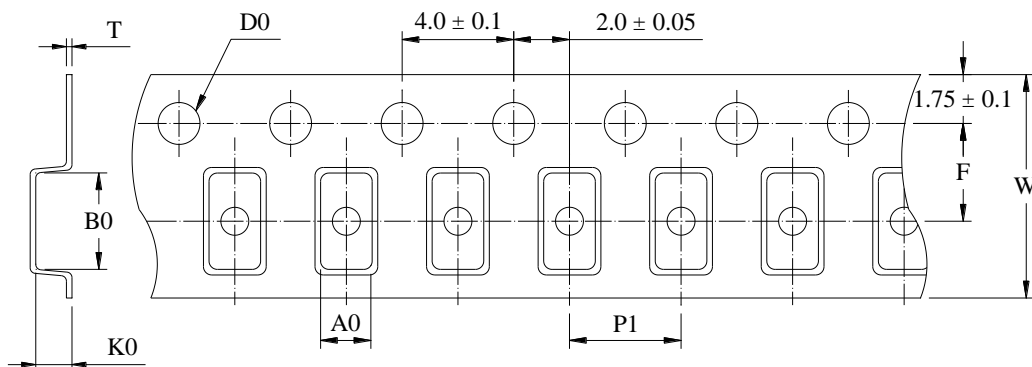
Recommend Solder Pad Dimensions :



Dimensions (mm)	W	L	D
1.5 to 10 (mΩ)	1.98	3.60	1.40

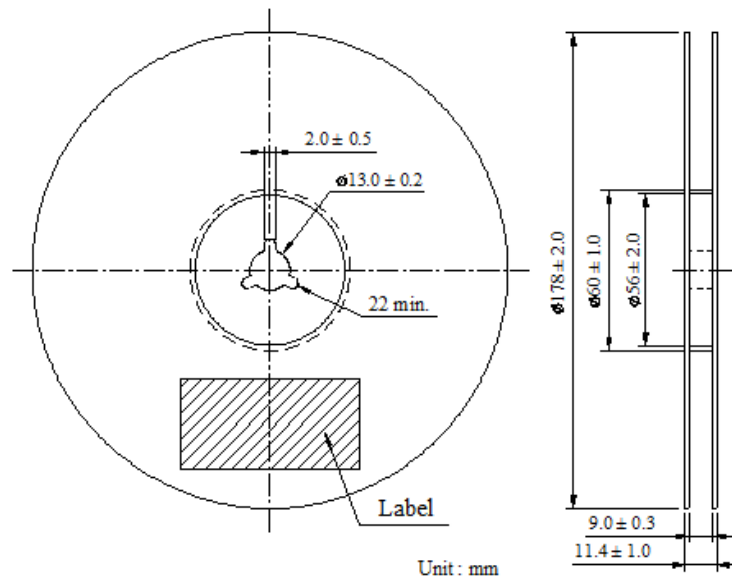
Packaging :

Tape packaging dimensions :



A0	1.65 ± 0.10	F	3.50 ± 0.05
B0	2.35 ± 0.10	P1	4.00 ± 0.10
T	0.20 ± 0.10	W	8.00 ± 0.30
K0	1.05 ± 0.10	D0	φ1.55 ± 0.05

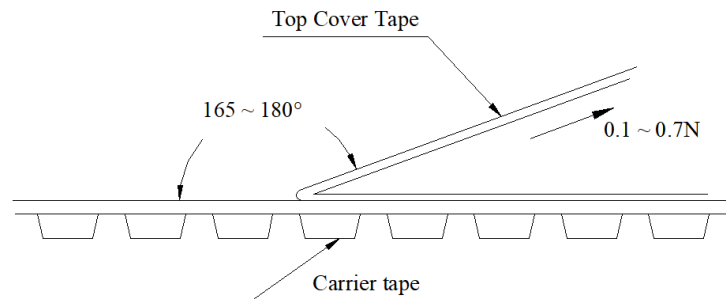
Reel dimensions :



Peel Strength of Top Cover Tape :

The peel speed shall be about 300mm/min.

The peel force of top cover tape shall between 0.1 to 0.7N



Number of Taping :

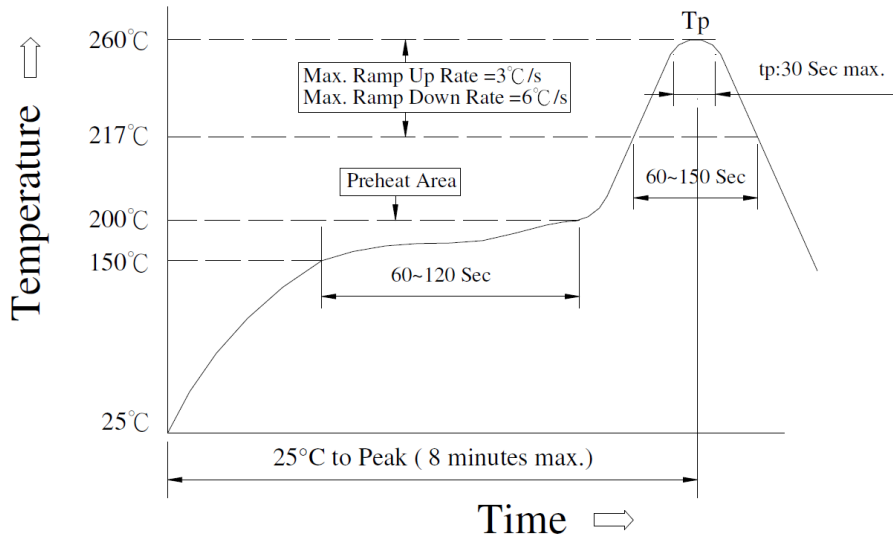
4,000 pieces / reel

Label Marking :

The following items shall be marked on the reel.

- (1) Type designation
- (2) Quantity
- (3) Manufacturing date code
- (4) Manufacturer's name
- (5) The country of origin

Recommend Soldering Conditions:



Meet JEDEC-020D

(1) Reflow Soldering Method :

Reflow Soldering	Tp:255 to 260°C Max.30 seconds (Tp)
	217°C 60 to 150 seconds
Pre-Heat	150 to 200°C 60 to 120 seconds
Time 25°C to peak temperature	8 minutes max

(2) Soldering Iron Method : 350± 5°C max.3 seconds

Care Note :

Care note for storage

- (1) Current sensor shall be stored in a environment where temperature and humidity must be controlled (temperature 5 to 40°C, humidity 30 to 80% RH) . However, the humidity should be maintained as low as possible.
- (2) Current sensor shall not be stored under direct sunlight.
- (3) Current sensor shall be stored in condition without moisture, dust, any material defect solderability, or hazardous gas (i.e. Chlorination hydrogen, sulfurous acid gas, and sulfuration hydrogen)
- (4) The sensor can be stored for at least one year under the condition mentioned above.

Care note for operating and handling

- (1) It is necessary to protect the edge and protection coat of resistors from mechanical stress.
- (2) Handle with care when printing circuit board (PCB) is divided or fixed on support body, because bending of printing circuit board (PCB) mounting will make mechanical stress for resistors.
- (3) Resistors shall be used with in rated range shown in specification. Especially, if voltage more than specified value will be loaded to resistor, there is a case it will make damage for machine because of temperature rise depending on generating of heat, and increase resistance value or breaks.
- (4) In case that resistor is loaded a rated voltage, it is necessary to confirms temperature of a resistor and to reduce a load power according to load reduction curve, because a temperature rise of a resistor depends on influence of heat from mounting density and neighboring element.
- (5) Observe Limiting element voltage and maximum overload voltage specified in each specification
- (6) If there is possibility that a large voltage (pulse voltage, shock voltage) charge to resistor, it is necessary that operating condition shall be set up before use.